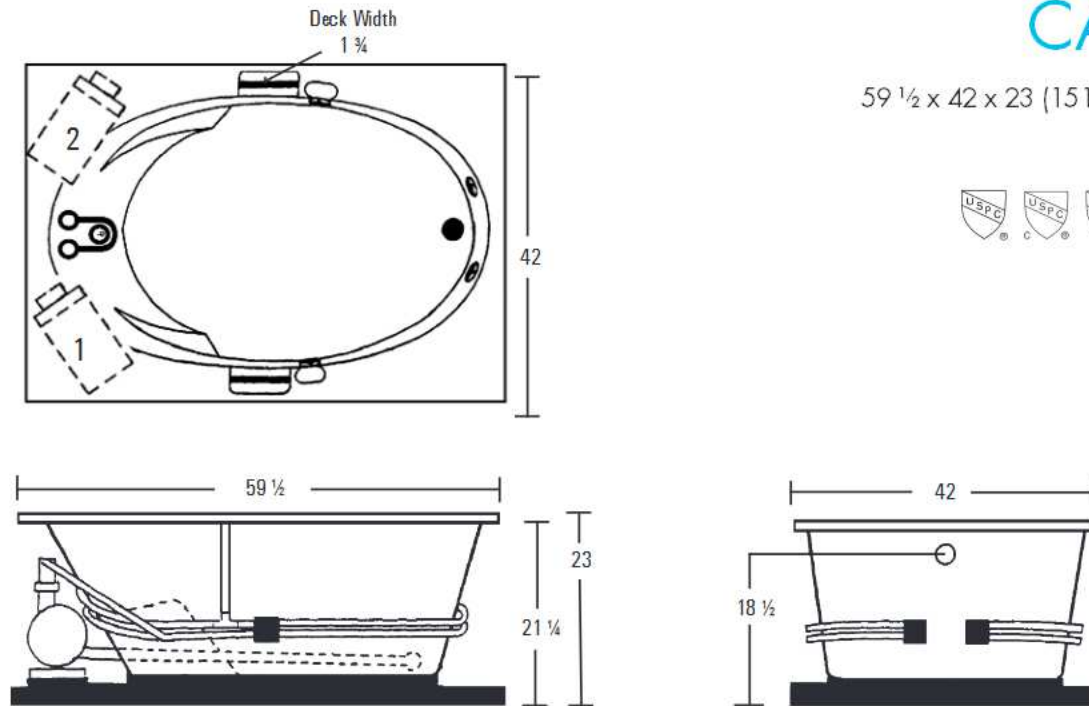


# CARMEL

59 1/2 x 42 x 23 (1510 x 1070 x 585)  
inches (mm)



**FEATURES** lbs (kg) Dimensional Tolerance ± 3/8". Dimensions needed for site preparation should be measured from the unit. Aquatic assumes no responsibility for preparatory work.

Type and Model #	Material	Jets	Pump	Heater	Controls	Drain	Pkg. Wt.
Whirlpool #A16042D	Acrylic	7	1.75 HP	1.5 kw Inline (optional)	Electronic on/off	Universal	193 (87)

## DIMENSIONS inches (mm)

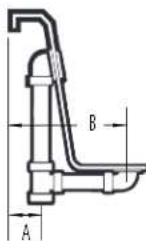
Width Overall / Net	Depth Overall / Net	Height Overall / Net	Skirt Height
59 1/2 (1510)	42 (1070)	23 (585)	-

## SUMP DATA inches (mm)

Capacity to Overflow gal (ltr)	Min. Operating Capacity gal (ltr)	WIDTH @ centerline		DEPTH @ centerline	
		Top	Bottom	Top	Bottom
70 (1780)	51 (193)	52 3/4 (1340)	43 1/4 (1100)	30 1/2 (775)	21 1/2 (545)

## PLUMBING DIMENSIONS inches (mm)

A	B
2 1/2 (65)	9 1/4 (235)



## ELECTRICAL DATA

Component	Specification	Requirement
Pump	1.75 HP; 12 AMP; 110 V	15 AMP; 110V, separate circuit; Class A GFCI
Optional Heater	1.5 kW; 12.5 AMP; 110 V	15 AMP; 110V, separate circuit; Class A GFCI

### NOTES:

1) Where applicable, utilize cut-out templates packed with unit for deck cutouts.

2) 16 x 20 (405 x 510) minimum access required at pump/blower location(s).